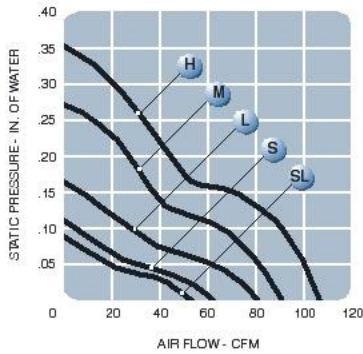


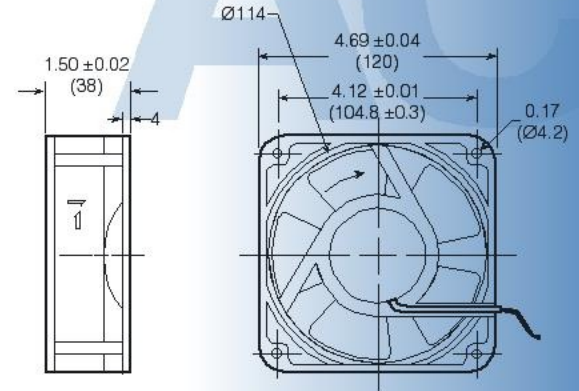
UF12A Series



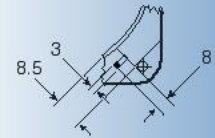
**Size: (120 x 120 x 38 mm)
4.69 x 4.69 x 1.5 inches**

UF12A series AC tubeaxial fans provide exceptional performance and value. Precision die-cast aluminum frame acts as a heat sink. UL94V-0 components. Choose from motor quality ball bearings, or sintered bronze sleeve bearings. Available in single (115 VAC or 230 VAC) and dual (115/230 VAC) models. Shaded pole motor. Air exhausts over struts. Choice of terminal or leadwire style. Also available with metal impeller.

Model No.	Rated Voltage V	Frequency HZ	Input Power W	Rated Current A	Locked Current A	Speed RPM	Air Volume CFM	Maximum Pressure in H ₂ O	Noise dBA	Weight OZ
UF12A12 - __ H	115	60	15	0.19	0.20	3100	106	0.35	47	18.7
UF12A23 - __ H	230	60	15	0.09	0.10	3100	106	0.35	47	18.7
UF12A12 - __ M	115	60	14	0.17	0.19	2750	92	0.28	45	18.7
UF12A23 - __ M	230	60	14	0.08	0.09	2750	92	0.28	45	18.7
UF12A12 - __ L	115	60	12	0.15	0.16	2300	81	0.16	38	18.7
UF12A23 - __ L	230	60	12	0.07	0.08	2300	81	0.16	38	18.7
UF12A12 - __ S	115	60	8	0.08	0.09	2,100	64	0.11	37	18.7
UF12A23 - __ S	230	60	8	0.04	0.05	2,100	64	0.11	37	18.7
UF12A12 - __ SL	115	60	6	0.06	0.07	1,800	57	0.09	36	18.7
UF12A23 - __ SL	230	60	6	0.03	0.04	1,800	57	0.09	36	18.7

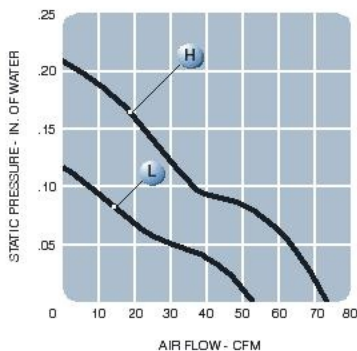


LEAD WIRE



TERMINAL TYPE

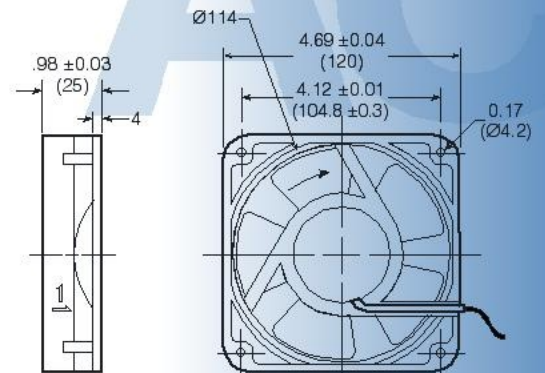
UF12B Series



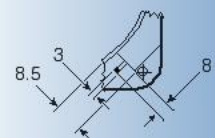
**Size: (120 x 120 x 25 mm)
4.69 x 4.69 x 0.98 inches**

UF12B series thin profile models are available in two speeds. Precision die-cast aluminum frame acts as a heat sink. UL94V-0 components. Choose from motor quality ball bearings, or sintered bronze sleeve bearings. Immediately available in 115 or 230 VAC version; dual voltage option available. Shaded pole motor. Air exhausts over struts. Choice of terminal or leadwire style.

Model No.	Rated Voltage V	Frequency HZ	Input Power W	Rated Current A	Locked Current A	Speed RPM	Air Volume CFM	Maximum Pressure in H ₂ O	Noise dBA	Weight OZ
UF12B12 - __ H	115	60	13	0.15	0.17	2700	74	0.22	42	11.6
UF12B23 - __ H	230	60	13	0.07	0.08	2700	74	0.22	42	11.6
UF12B12 - __ L	115	60	12	0.13	0.14	2000	53	0.12	33	11.6
UF12B23 - __ L	230	60	12	0.06	0.07	2000	53	0.12	33	11.6



LEAD WIRE



TERMINAL TYPE