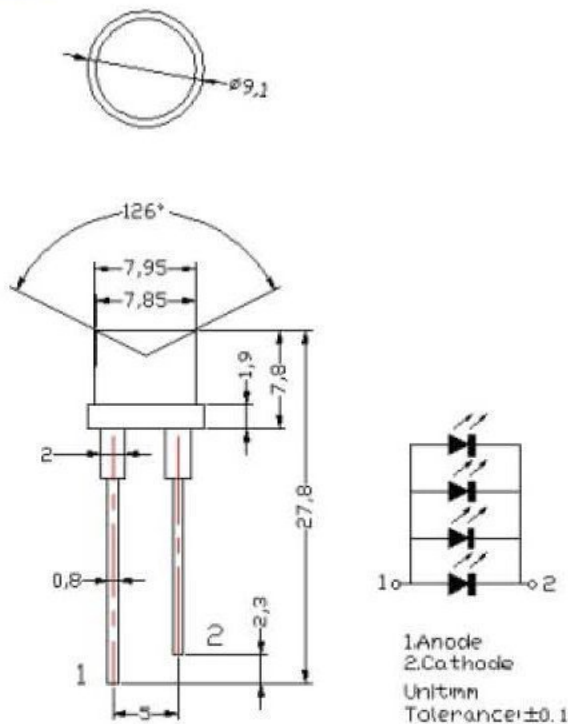


8MM HIGH POWER INVERTED CONE LED TRUE 360 DEGREE VIEWING ANGLE

Package Dimensions And Materials



Notes:

1. All dimension units are millimeters
2. All dimension tolerance is ± 0.1 mm unless otherwise noted
3. An epoxy meniscus may extend about 2.3mm Down the leads
4. Burr around bottom of epoxy may be 0.8mm Max.
5. **WARNING DO NOT BEND OR CUT LEADS** QUICKAR ELECTRONICS, INC.

Characteristics Parameter at $T_a=25^{\circ}\text{C}$ $I_F=80\text{mA}$

Emitting Color	Wave length	Lens Type	Forward Voltage V_f (V)			Luminous Flux(lm)			Viewing Angle 2θ $1/2^{\circ}$
			Min.	Typ.	Max.	Min.	Typ.	Max.	
White	-	WATER CLEAR	3.0	3.2	3.5	15	17	20	360°
Red	618-625	WATER CLEAR	1.8	2.1	2.5	3	4	6	360°
Green	520-525	WATER CLEAR	3.0	3.3	3.8	5	6	8	360°
Blue	460-470	WATER CLEAR	3.0	3.3	3.8	2.5	3	5	360°
Yellow	586-589	WATER CLEAR	1.8	2.1	2.5	3	4	6	360°

Absolute Maximum Ratings at $T_a=25^{\circ}\text{C}$

Characteristic	Symbol	MAX	Unit
Power Dissipation	PD	280	mW
Peak Forward Current (1/10 Duty Cycle 0.1ms Pulse Width)	IFP	240	mA
Reverse Voltage	VR	5	V
Reverse Current	IR	≤30	μA
Operating Temperature	Topr	-40--80	°C
Storage Temperature	Tspr	-40--100	°C
Lead Soldering Temperature(5mm From The Base Of The Epoxy Bulb)	Tsol	260(≤5s)	°C

NOTES:

- 1.All dimensions are millimeters;
- 2.Tolerances are ±0.1mm unless otherwise specified.