

F 8mm High Power LED lamp(150mA)



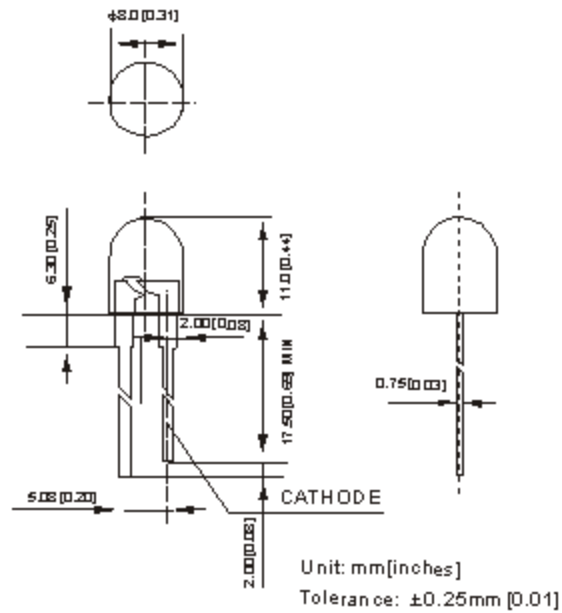
Features

- High intensity LED lamp;
- f 8mm round shape;
- UV resistant epoxy for outdoor use;

Applications

- Indicators;
- Illumination;

Package Dimensions



Parameter	Symbol	Max		Unit
		W	B	
Power Dissipation	PD	500	500	mW
Peak Forward Current*	IFP	450	450	mA
Continuous Forward Current	IF	150		mA
Derating Linear From 50?		0.4		mA/?
Reverse Voltage	VR	5		V
Operating Temperature Range	Topr	-30 to +80 ?		
Storage Temperature Range	Tstg	Tstg -40 ? to +100 ?		
Lead Soldering Temperature	Tsol	260		?

Electro-Optical Characteristics (Ta=25°C, @IF=150mA)

Part No.	Material	Chip size	Lens	Emitting Color	Forward Voltage (v)		Luminous Intensity (mcd)		Dominant Wavelength (nm)		Spectra LineHalf-Width (??)	Viewing Angle (2?1/2)
					Typ	Max	Typ	Max	Typ	Max		
8WDHCB-H	InGaN	24X24	Water Clear	White	3.2	3.8	22000	25000	-	-	-	55°
8BDHCB-H	InGaN	24X24	Water Clear	Blue	3.2	3.8	13000	15000	465	475	30	55°