

5mm WHITE Inverted Cone Led - Distributed By Quickar Electronics, Inc.

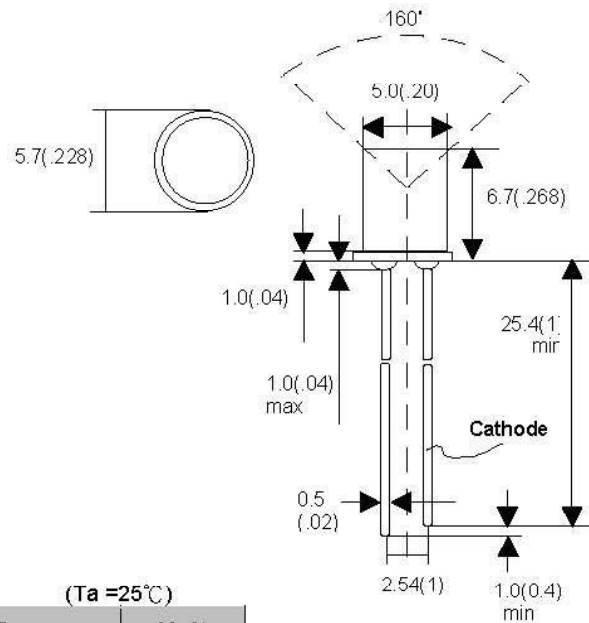
Features

- Emitted color : white
- High luminous intensity
- Chip material : InGaN
- Viewing angle : 360 deg
- RoHS compliant

Description

- Super bright LED lamp
- Round type
- T1-3/4(5mm) diameter
- Lens color : water transparent
- With flange
- Solder leads without stand-off

Package Dimensions



Unit : mm (inch)

Absolute maximum ratings

(Ta =25°C)

Parameter	Symbol	Max.	Unit
Power dissipation	P _D	120	mW
Peak forward current *	I _{PF}	100	mA
Continuous forward current	I _{AF}	50	mA
Reverse voltage	V _R	5	V
Operating temperature range	T _{opr}	-25 ~ + 85	°C
Storage temperature range	T _{stg}	-25 ~ + 85	°C
Solder temperature 1.6 mm from body for 3 seconds at 260°C			

* 1/10 Duty cycle @1KHz

Optical-electrical characteristics

Parameter	Symbol	Test condition	Min.	Typ.	Max.	Unit
Luminous intensity	I _v	I _F =20mA	120		350	mcd
Forward voltage	V _F	I _F =20mA		3.2	4.0	V
Forward voltage	V _F	I _F =100μA	2.0			V
Reverse current	I _R	V _R =5V			50	μA
Viewing angle	2θ 1/2	I _F =20mA		160		deg.
Wavelength characteristics	λ _p	I _F =20mA	x=0.2719, y=0.2525			

* Tolerance of viewing angle is -10/+5 deg.

Notes

Caution in ESD : Static electricity and surge damages the LED. It is recommended to use a wrist band or anti-electrostatic glove when handling the LED. All devices, equipment and machinery must be properly grounded.