

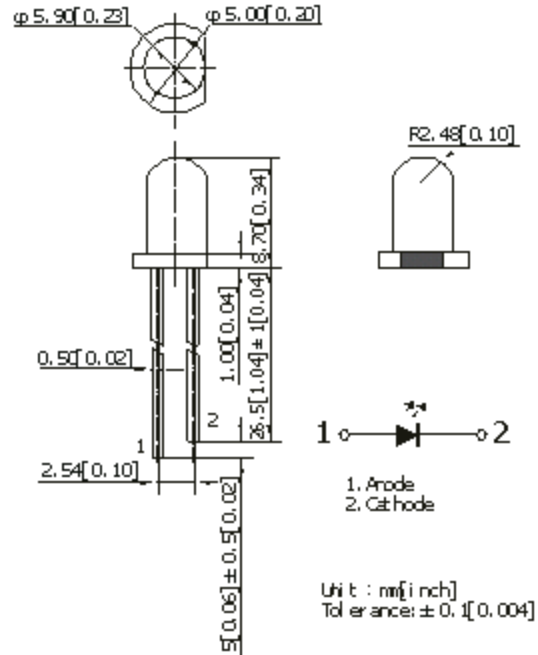
# F 5mm Power LED's



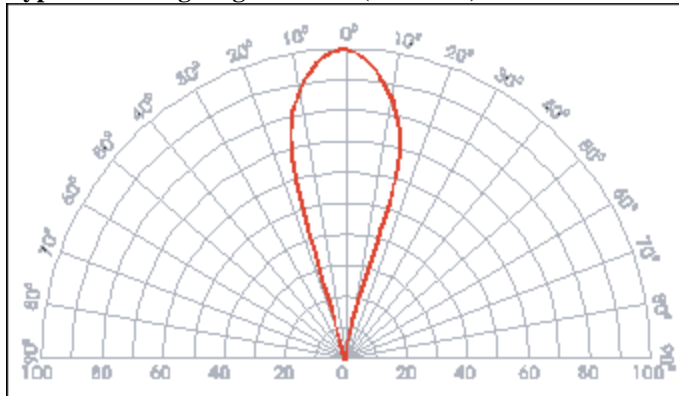
## Features

- High intensity LED lamp;
- f 5mm round shape;
- UV resistant epoxy for outdoor use;

## Package Dimensions



## Typical Viewing Angle Curves (Ta=25°C)



## Absolute Maximum Ratings (Ta=25°C)

Parameter	Symbol	Value	Unit
Forward Current	$I_{FM}$	150	mA
Reverse Voltage	$V_{RM}$	5.0	V
Reverse Current	$I_{RM}$	30	$\mu A$
Power Dissipation	$P_D$	500	mW
Operating Temperature	$T_{OPR}$	-40 $\pm$ +70	$^{\circ}C$
Storage Temperature	$T_{STG}$	-40 $\pm$ +100	$^{\circ}C$
Soldering Temperature	$T_{SLD}$	260 $\pm$ 5s $\pm$ 5 $\pm$ 5	$^{\circ}C$

## Electrical Optical Characteristics (Ta=25°C, @IF=100mA)

Part No.	Chip size	Lens	Emitting Color	Wavelength (nm)		Forward Voltage (v)	Luminous Intensity (mcd)	Viewing Angle (2 $\theta$ 1/2)
	(mil)			Min.	Max.			
5W3(24)CA-H	24X24	Water Clear	White	--	--	= 3.6	22000	25 $^{\circ}$
5B3(24)CA	24X24	Water Clear	Blue	465	470	= 3.6	9000	25 $^{\circ}$
5G3(24)CA	24X24	Water Clear	Green	520	525	= 3.6	16000	25 $^{\circ}$
5R3(24)CA	24X24	Water Clear	Red	620	630	= 2.4	14000	25 $^{\circ}$
		Water						

5Y3(24)CA	24X24	Clear	Yellow	580	590	= 2.4	7000	25 <sup>0</sup>
-----------	-------	-------	--------	-----	-----	-------	------	-----------------